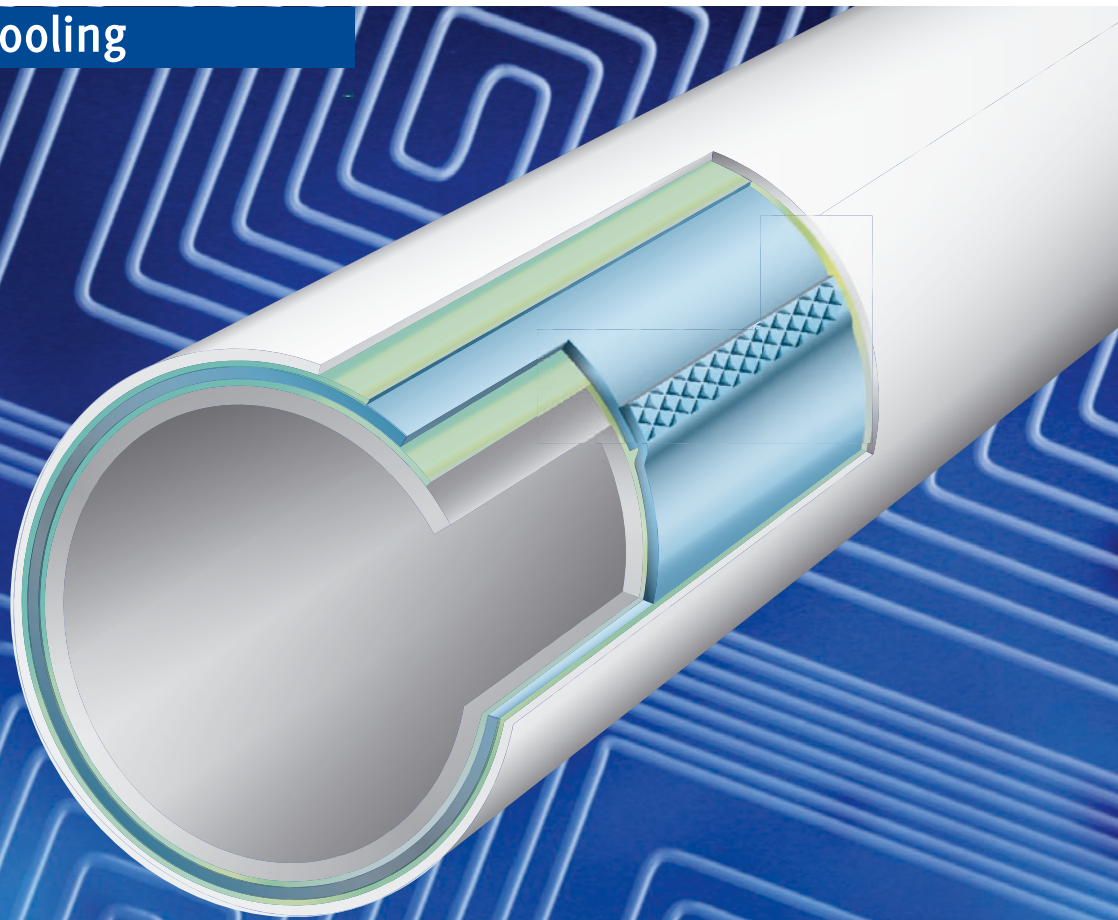


Multi-layer pipe 15 x 1.6

Heating

Cooling



- Panel heating and cooling
- Wall heating and cooling
- Ceiling cooling

Special characteristics:

- High dimensional stability with maximum flexibility
- Optimally adapted thickness of aluminum layer
- Oxygen-tight according to requirement of DIN 4726
- Minimum thermal change of length
- Low weight
- Certified by SKZ
- Test mark number for PE-RT/Al/PE-RT: A 397
- Test mark number for PEX b/Al/PEX b: A 406
- Outstanding installation characteristics

Technical data

Pipe dimension in mm	15 x 1.6
Outside diameter (OD), nom. dimension in mm	15.2
Wall thickness, nominal dimension in mm	1.6
Inside diameter (ID), nom. dimension in mm	12
Pipe weight in g/m	81
Pipe weight with water in g/m	193
Inner volume in l/m	0.113
Thermal conductivity in W/m*K (1)	0.42
Coefficient of expansion in mm/m*K	0.025
Oxygen diffusion in mg/l*d	0.000
Max. operating temperature in °C	60
Max. operating pressure at 60°C in bar	6
Max. incident temperature in °C	95
Short time pressure at 60°C	10
Bending radius, freely bent (2)	75
Bending radius, bent with bending tool(3)	60
Building material category, normally inflammable	B2 according to DIN 4102

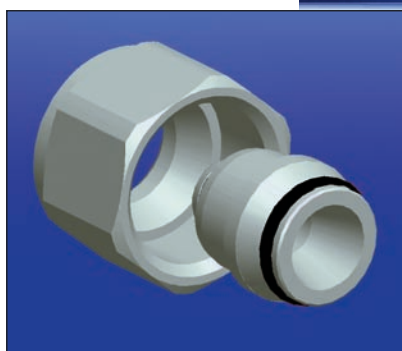
(1) Average value (2) 5 x OD (mm) (3) 4 x OD (mm); all values are approximate values.

Customized variation options

Pipe material, standard	PE-RT/Al/PE-RT PEX-b/Al/PEX-b
Special versions	On request
Standard pipe colours, outside:	White Blue Red
Special colors:	On request
Standard pipe colour, inside	Transparent
Special colours:	On request
Print on pipe	In coordination with the customer
Ring lengths	Up to 500 m

Accessories for completion

In addition we offer our customers a screw connection for the connection to distributors and valves. The screw connection is optimally adapted to the connection of the pipes and fits to all usual distributors.



Screw connection multi-layer pipe 15 x 1.6

Type	Inscription	Type	VE
Two-piece screw connection made of brass with 3/4 FT euro cone	standard: WRW 15-1,6-3/4	15 x 1.6 x 3/4 FT	20
Special versions on request!			